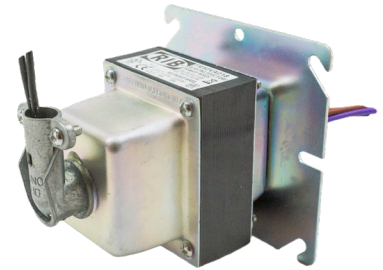
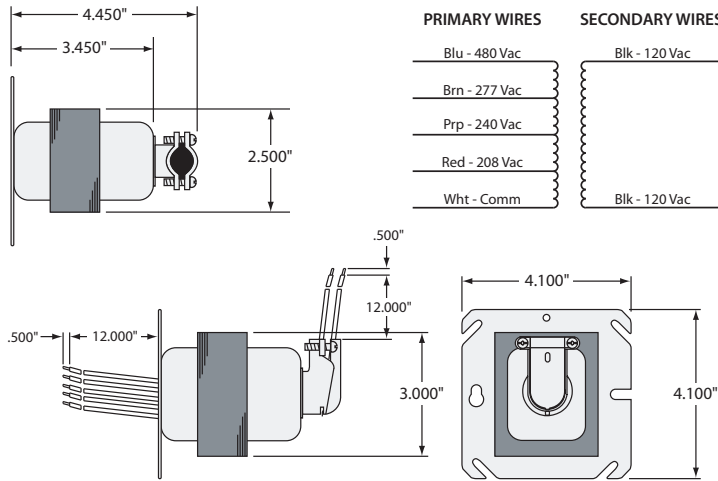


TRANSFORMER

TR50VA018

Transformer 50 VA, 480/277/240/208 to 120 Vac, 90° Conduit Connector and Mounting Plate Opening



SPECIFICATIONS

- VA Rating:** 50
- Frequency:** 50/60 Hz
- Mounting:** Mounting Plate
- Over Current Protection:** None
- Dimensions:** 4.450" x 4.100" x 4.100"
- Wire Length:** 12.0" Typical w/ .5" Strip
- Operating Temperature:** -30 to 140° F
- MTBF:** 100,000 Hours @ 77° F
- Construction:** Split-Bobbin
- Approvals:** UL5085-2 Listed General Purpose, C-UL, CE, RoHS